

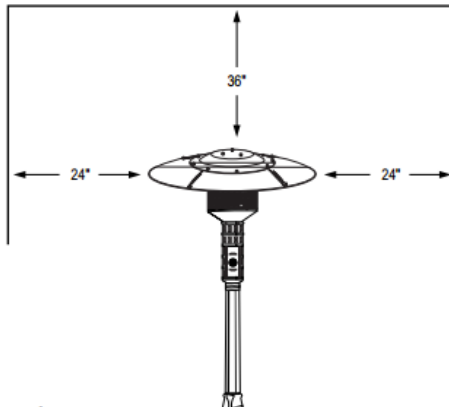


## Patio Heater Instructions

The heater is NOT designed, approved, or intended for indoor use or enclosed area use such as a garage, commercial building, tents, ice fishing tents, prefabricated buildings or enclosures or other enclosed areas.

The heater is also NOT designed for use on moving objects or vehicles such as houseboats, yachts, travel trailers, boats, or other moving devices or vehicles.

**Please use minimum clearance requirements shown in the image below.**



### Lighting Instructions

1. Push and turn the control knob to the OFF position.
2. Fully open the propane tank valve.
3. Push and turn the control knob to the pilot position. Depress the control knob. Push and hold the igniter button until the pilot lights.
4. Once the pilot lights, release the igniter button and continue to depress the control knob for 30 seconds.
5. After depressing the control knob for 30 seconds, release the control knob and turn it to the low or high position.

**\*In the event the igniter is not working, you can use a long reach lighter to manually light the pilot by inserting it through the ignition hole**